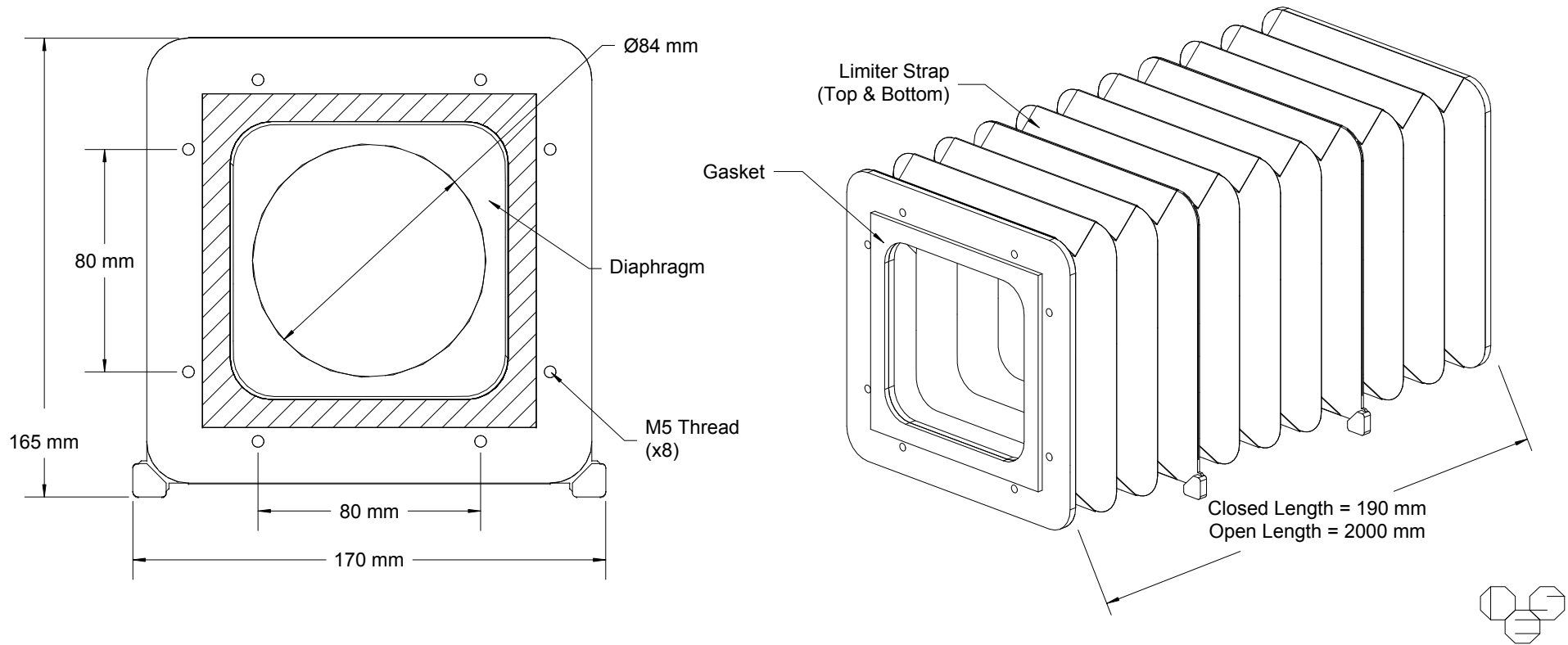


NO. RBT104L/30BPY
 SUPSDS.

QTY	PRODUCT	NEXT ASSY. DWG.	NO.	DESCRIPTION OF CHANGE	SCO	DATE	BY
			0	NEW ISSUE		01/15/19	DSE



<p>TOLERANCES UNLESS OTHERWISE SPECIFIED FRACTIONS $\pm 1/64$ DECIMALS: $.X \pm .1$ $.XXX \pm .005$ ANGLES $\pm 1/2^\circ$ $.XX \pm .0000$ $\pm .001$</p>			<p>THIS DOCUMENT IS THE PROPERTY OF RICHARDSON ELECTRONICS, LTD. AND SHALL NOT BE COPIED, REPRODUCED, USED IN THE MANUFACTURE OR SALE OF APPARATUS OR DISCLOSED TO OTHERS WITHOUT PERMISSION.</p>		
<p>DO NOT SCALE DRAWING</p>			<p>Richardson Electronics, Ltd.</p>		
<p>DRAWN</p>	<p>DSE</p>	<p>SCALE</p>	<p>NTS</p>		
<p>ENG. MGR.</p>		<p>ENG. CHKD.</p>			
<p>ENG. MGR.</p>		<p>PRODN. APPD.</p>			
<p>MAT'L</p>					
<p>MAT'L. SPEC. NO.</p>			<p>NO.</p>	<p>RBT104L/30BPY</p>	
<p>FINISH</p>		<p>PROD.</p>		<p>REV.</p>	<p>0</p>