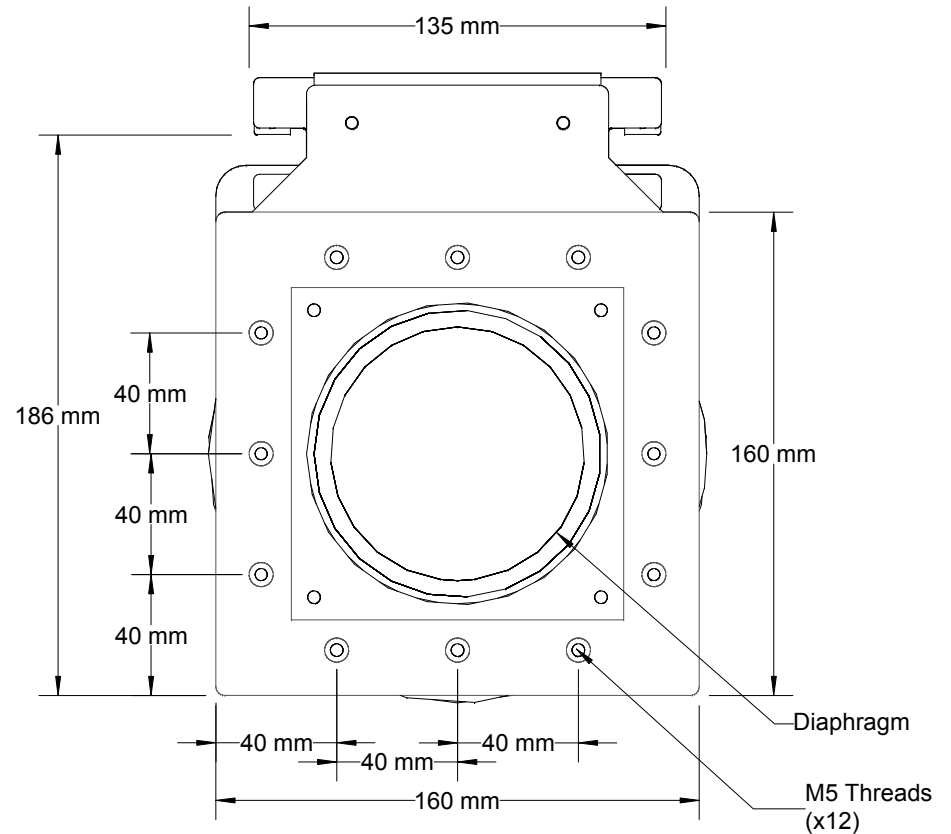
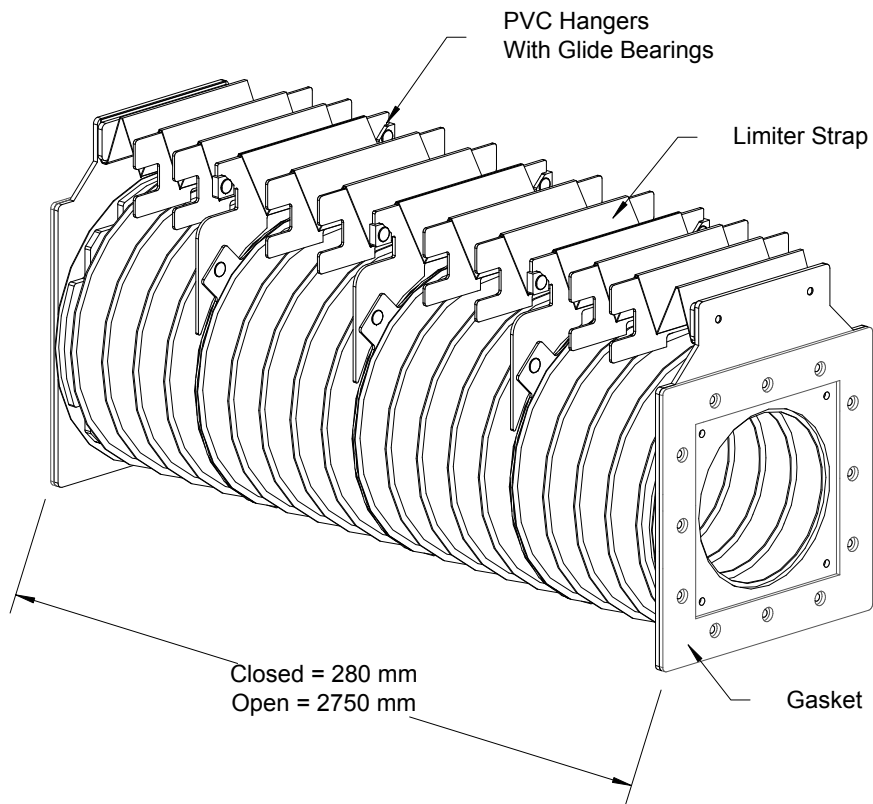


NO. RBT134/50UXBP
 SUPSDS.

| QTY | PRODUCT | NEXT ASSY. DWG. | NO. | DESCRIPTION OF CHANGE | SCO | DATE | BY |
|-----|---------|-----------------|-----|-----------------------|-----|----------|-----|
| | | | | NEW ISSUE | | 07/22/15 | DSE |
| | | | | Hanger design updated | | 01/22/19 | DSE |
| | | | | | | | |
| | | | | | | | |



Note: Dimensions are for identification purposes only and not for inspection.

| TOLERANCES UNLESS OTHERWISE SPECIFIED | | | |
|---------------------------------------|-----|---------------------------------------|-----|
| FRACTIONS $\pm 1/64$ | | DECIMALS: .X $\pm .1$.XXX $\pm .005$ | |
| ANGLES $\pm 1/2^\circ$ | | .XX $\pm .01$.XXXX $\pm .001$ | |
| DO NOT SCALE DRAWING | | | |
| DRAWN | DSE | SCALE | NTS |
| ENG. MGR. | | ENG. CHKD. | |
| ENG. MGR. | | PRDN. APPD. | |
| MAT'L | | | |
| MAT'L SPEC. NO. | | | |
| FINISH | | PROD. | |

THIS DOCUMENT IS THE PROPERTY OF RICHARDSON ELECTRONICS, LTD. AND SHALL NOT BE COPIED, REPRODUCED, USED IN THE MANUFACTURE OR SALE OF APPARATUS OR DISCLOSED TO OTHERS WITHOUT PERMISSION.

Richardson Electronics, Ltd.

**U & X BEAM PATH BELLOWS
 REPLACES TRUMPF
 P/N 1271514 (2004 & After)**

NO. RBT134/50UXBP

REV. 1

