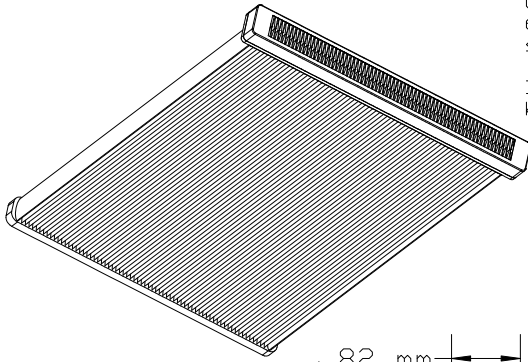


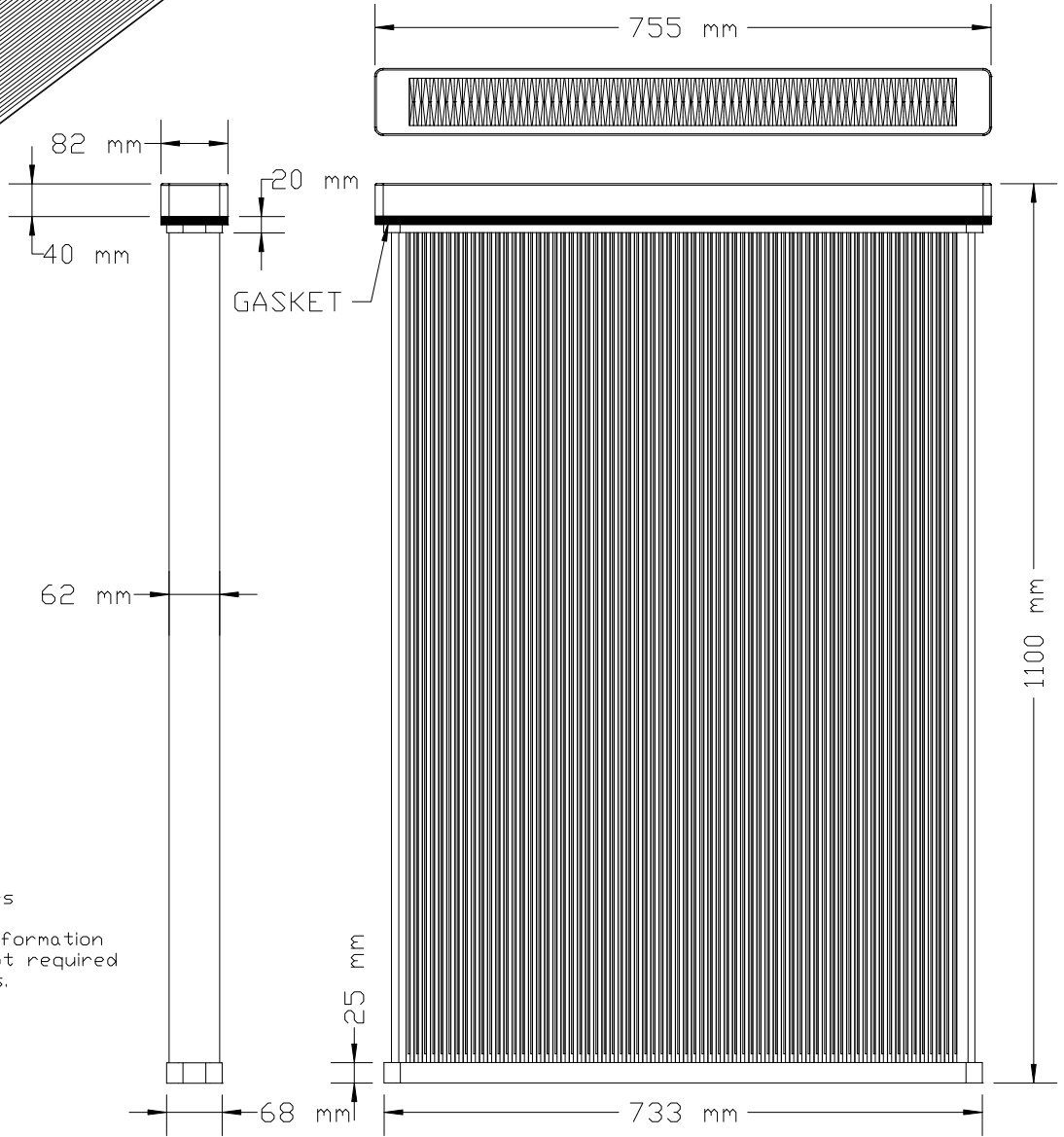
| QTY. | PRODUCT | NEXT ASSY. DWG. | NO. | DESCRIPTION OF CHANGE | SCO# | DATE     | BY  |
|------|---------|-----------------|-----|-----------------------|------|----------|-----|
|      |         |                 | 0   | NEW ISSUE             |      | 03/08/19 | DSE |
|      |         |                 | 1   |                       |      |          |     |
|      |         |                 | 2   |                       |      |          |     |
|      |         |                 | 3   |                       |      |          |     |
|      |         |                 | 4   |                       |      |          |     |

NO. RFT691/1100A  
SUPPDS.



Compact Filter Element Type 831, PTF 24, Filtration of at least 99.995%, 68 pleats, approx. 30 mm Pleat Height, Hard PU top and bottom, fiberglass side supports and affixed gasket.

It is recommended that the compressed air for the cleaning/purge cycle be set at 4 bar MAXIMUM.



NOTES:

- Includes mounting bars
- Dimensions are for information purposes only & are not required for inspection purposes.



| ITEM#  | QTY | PART NUMBER  | DESCRIPTION  |
|--|-----|--------------|--|
| TOLERANCES UNLESS OTHERWISE SPECIFIED<br>FRACTIONS ±1/64      DECIMALS .X ±1    .XXX ±.005<br>ANGLES ±1/2°            .XX ±.01    .XXX ±.005 |     |              | THIS DOCUMENT IS THE PROPERTY OF RICHARDSON ELECTRONICS, LTD. AND SHALL NOT BE COPIED, REPRODUCED, USED IN THE MANUFACTURE OR SALE OF APPARATUS OR DISCLOSED TO OTHERS WITHOUT PERMISSION. |
| DO NOT SCALE DRAWING   |     |              | Richardson Electronics, Ltd.   |
| DRAWN  | DSE | SCALE        | NTS  |
| ENG. MGR.  |     | ENG. CHKD.   |  |
| ENG. MGR.  |     | PRODN. APPD. |  |
| MAT'L  |     |              |  |
| MAT'L SPEC. NO.  | -   |              |  |
| FINISH   | -   | PROD.        |  |
|  |     |              | NO. RFT691/1100A      CHANGE - 0   |