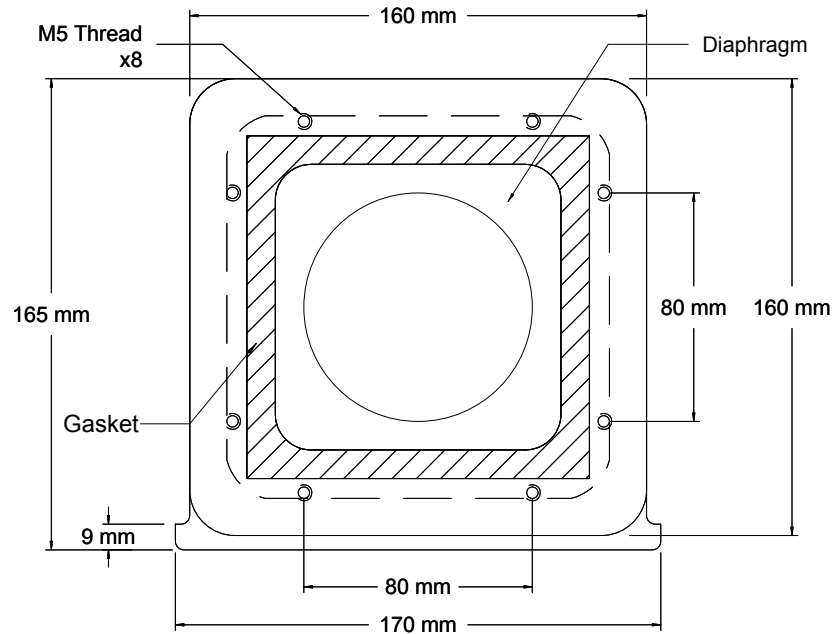


NO. RBT164/25BPX
SUPSDS.

QTY	PRODUCT	NEXT ASSY. DWG.	NO.	DESCRIPTION OF CHANGE	SCO	DATE	BY
				NEW ISSUE		08/19/15	DSE



Notes:

- 1) Closed Length = 260 mm
Open Length = 2900 mm
- 2) Supports are made of PVC
- 3) Dimensions are for Identification purposes only and not for inspection.

TOLERANCES UNLESS OTHERWISE SPECIFIED			
FRACTIONS $\pm 1/64$		DECIMALS: .X $\pm .1$.XXX $\pm .005$	
ANGLES $\pm 1/2^\circ$.XX $\pm .01$.XXXX $\pm .001$	
DO NOT SCALE DRAWING			
DRAWN	DSE	SCALE	NTS
ENG. MGR.		ENG. CHKD.	
ENG. MGR.		PRODN. APPD.	
MAT'L			
MAT'L SPEC. NO.			
FINISH		PROD.	

THIS DOCUMENT IS THE PROPERTY OF RICHARDSON ELECTRONICS, LTD. AND SHALL NOT BE COPIED, REPRODUCED, USED IN THE MANUFACTURE OR SALE OF APPARATUS OR DISCLOSED TO OTHERS WITHOUT PERMISSION.	
Richardson Electronics, Ltd.	
X - BEAM PATH BELLOWS REPLACES TRUMPF P/N 0939013	
NO. RBT164/25BPX	REV. 0

