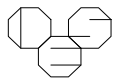
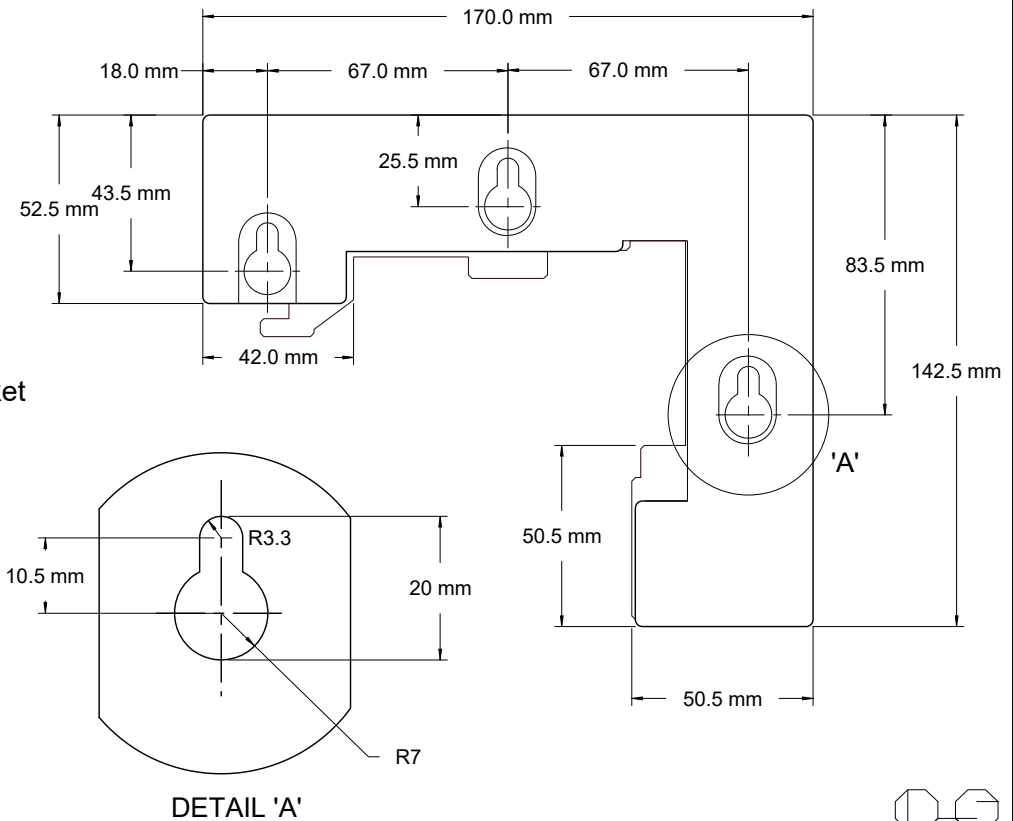
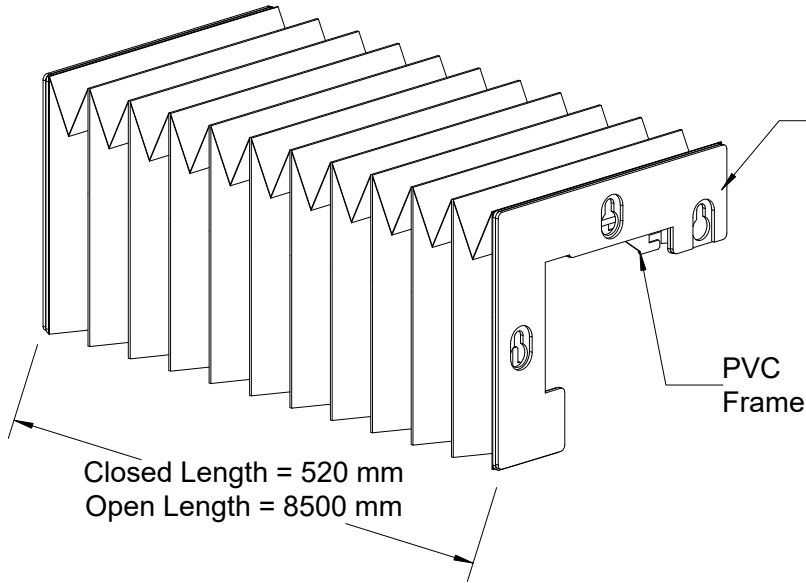
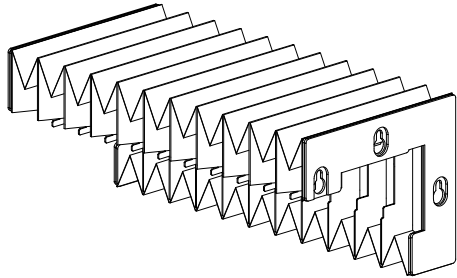


NO. RBT221/6050RX  
 SUPSDS.

QTY	PRODUCT	NEXT ASSY. DWG.	NO.	DESCRIPTION OF CHANGE	SCO	DATE	BY
				NEW ISSUE		09/01/20	DSE



Note:  
 This drawing is only for identification purposes ONLY and is not to be used for inspection.

TOLERANCES UNLESS OTHERWISE SPECIFIED				THIS DOCUMENT IS THE PROPERTY OF RICHARDSON ELECTRONICS, LTD. AND SHALL NOT BE COPIED, REPRODUCED, USED IN THE MANUFACTURE OR SALE OF APPARATUS OR DISCLOSED TO OTHERS WITHOUT PERMISSION.	
FRACTIONS $\pm 1/64$		DECIMALS: .X $\pm .1$		.XXX $\pm .005$	
ANGLES $\pm 1/2^\circ$		.XX $\pm .01$		.XXXX $\pm .001$	
DO NOT SCALE DRAWING					
DRAWN	DSE	SCALE	NTS	Richardson Electronics, Ltd.	
ENG. MGR.		ENG. CHKD.		<b>X RAIL BELLOWS REPLACES TRUMPF P/N 1251454</b>	
ENG. MGR.		PRDN. APPD.			
MAT'L					
MAT'L SPEC. NO.				NO.	RBT221/6050RX
FINISH		PROD.		REV.	— —