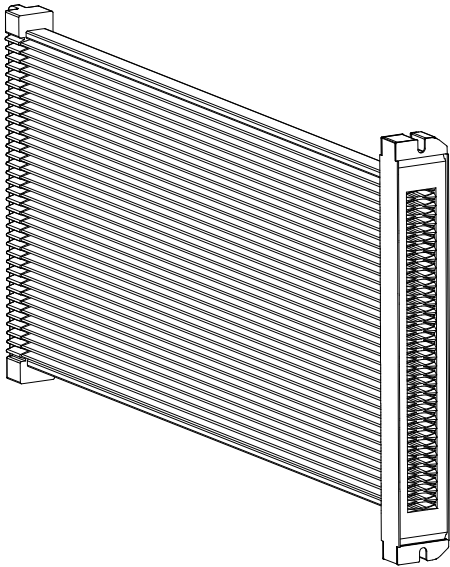


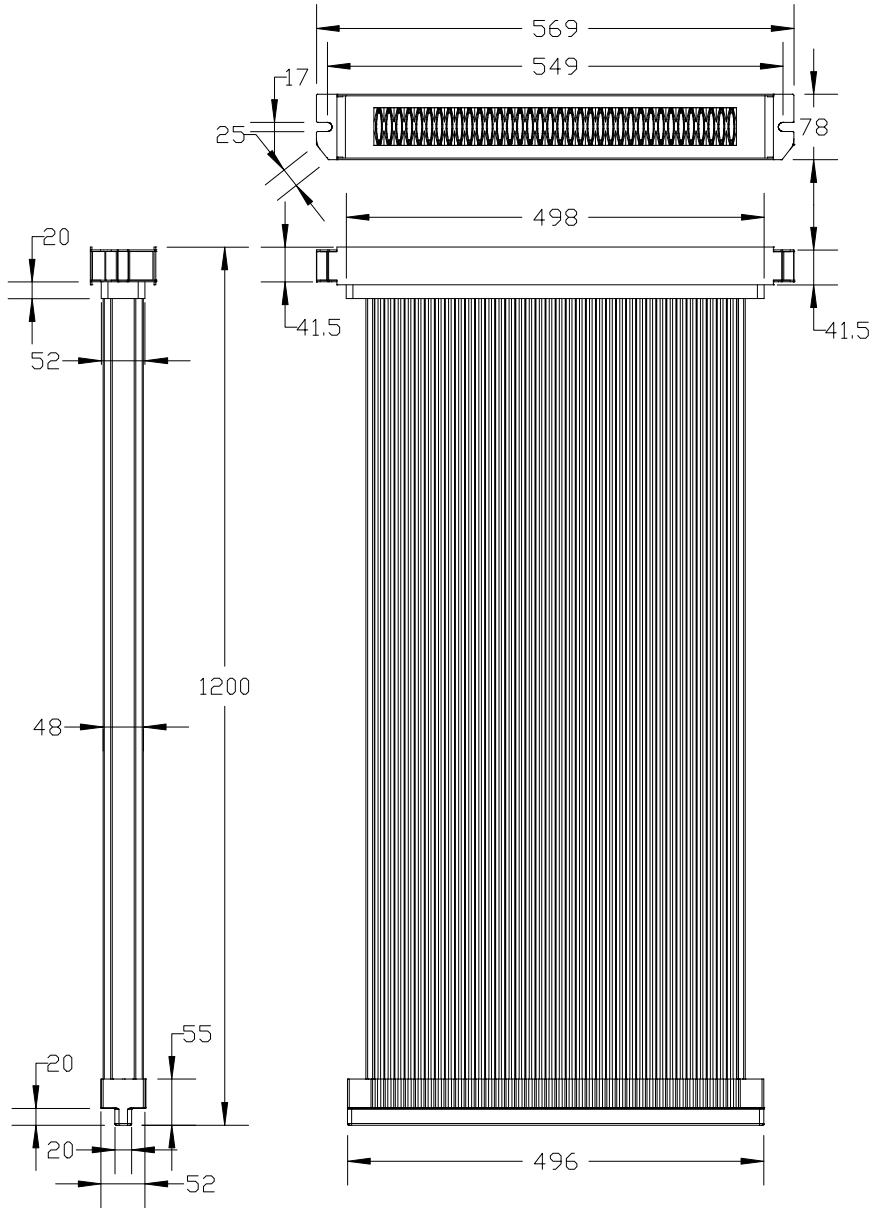
QTY.	PRODUCT	NEXT ASSY. DWG.	NO.	DESCRIPTION OF CHANGE	SCO#	DATE	BY
			0	NEW ISSUE		09/03/19	DSE
			1				
			2				
			3				
			4				

NO. RFT600/1200
SUPS.DS.



Compact Filter Element Type BICO Spun bond, thermal bonded PTFE, (H13/H14), 36 pleats, aprox. 24 mm Pleat Height, Hard PU top and bottom, including integral gaskets.

It is recommended that the compressed air for the cleaning/purge cycle be set at an operating range of 4 to 5 bar, with 5.5 bar being the MAXIMUM.



NOTE:
Dimensions are for information purposes only & are not required for inspection purposes.

ALL DIMENSIONS ARE IN mm



ITEM#	QTY	PART NUMBER	DESCRIPTION
TOLERANCES UNLESS OTHERWISE SPECIFIED FRACTIONS ±1/64 DECIMALS .X ±1 .XXX ±.005 ANGLES ±1/2° .XX ±.01 .XXX ±.005			THIS DOCUMENT IS THE PROPERTY OF RICHARDSON ELECTRONICS, LTD. AND SHALL NOT BE COPIED, REPRODUCED, USED IN THE MANUFACTURE OR SALE OF APPARATUS OR DISCLOSED TO OTHERS WITHOUT PERMISSION.
DO NOT SCALE DRAWING			Richardson Electronics, Ltd.
DRAWN	DSE	SCALE	NTS
ENG. MGR.		ENG. CHKD.	
ENG. MGR.		PRDN. APPD.	
MAT'L			DUST COLLECTION FILTER REPLACES TRUMPF P/N 0375600
MAT'L SPEC. NO. —			
FINISH —			
PROD.			NO. RFT600/1200 CHANGE — 0